

# Deck Review Checklist

Project Location: \_\_\_\_\_

Date Received \_\_\_\_\_

Tax Map#: \_\_\_\_\_

Height from grade to finished surface: \_\_\_\_\_

Joist Size (2x8 min): \_\_\_\_\_

Joist Span: \_\_\_\_\_

\*Maximum cantilever is 24inches

Joist Spacing:  12" O/C  16" O/C  24" O/C

Beam Size: \_\_\_\_\_

Beam Span: \_\_\_\_\_

Triple Beam  Double Beam

Footing Depth: \_\_\_\_\_

Post Size:  4x4  4x6  6x6

Notched Post  Post Cap Connector

Free Standing  Attached

Ledger Size (2x8 min): \_\_\_\_\_

Ledger Attachment:  Thru Bolt  Approved Lag Screw

Decking Finish:  Composite  2x6 PT  5/4 PT

Will the deck have stairs:  Yes  No

Deck surface 30inches or more above grade:  Yes  No  
If yes guard rails are required.

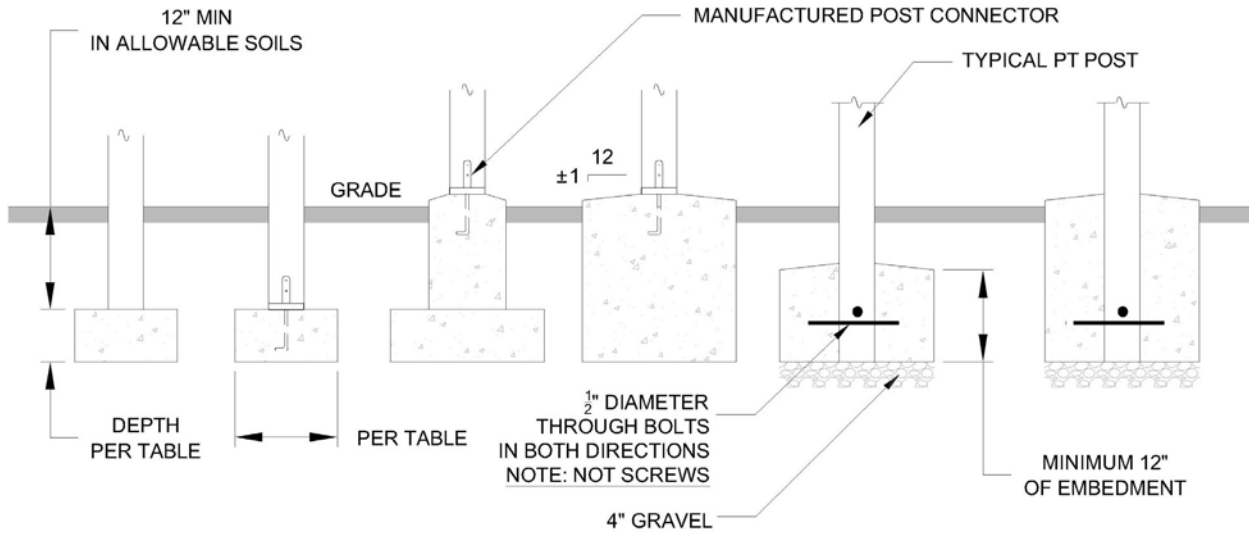
- Guard rail must be 36 inches minimum height from the deck surface for residential projects and 42 inches for commercial projects.

Deck stairs have more than 4 risers:  Yes  No

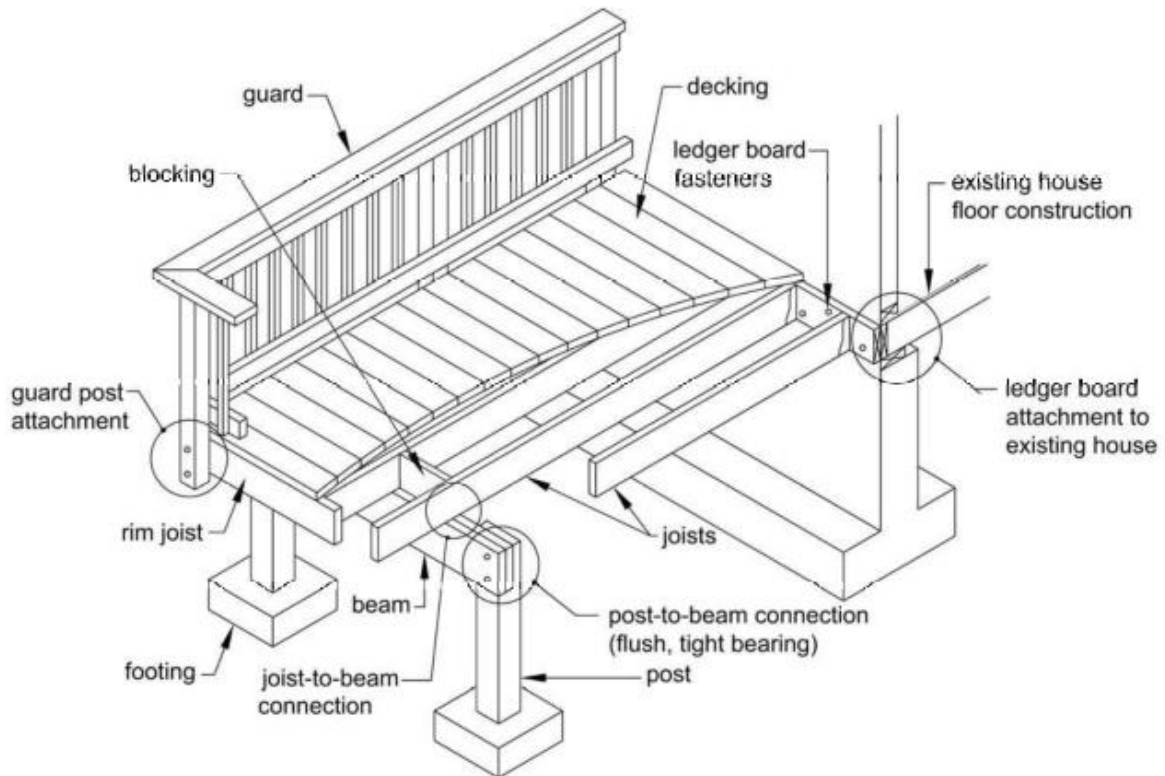
- A graspable handrail is required for stairs with 4 or more risers
  - Hand rail must be 34 to 38 inches from the tread nosing.
- Spacing in guard rails should not allow the passage of a 4-inch sphere.
- Stair risers must be closed or limited to prevent the passage of a 4-inch sphere.

# Deck Review Checklist

## Deck Footing and Overview Detail

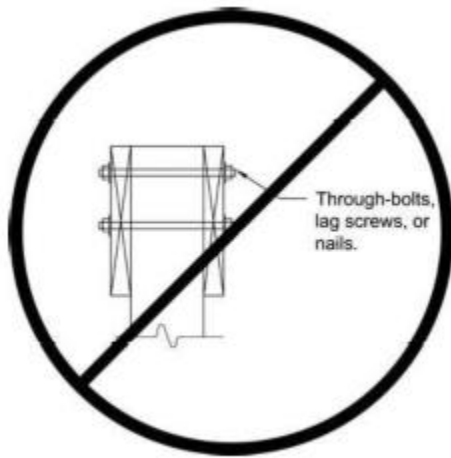


NOTE:  
POSTS MUST BE CENTERED ON OR IN FOOTING



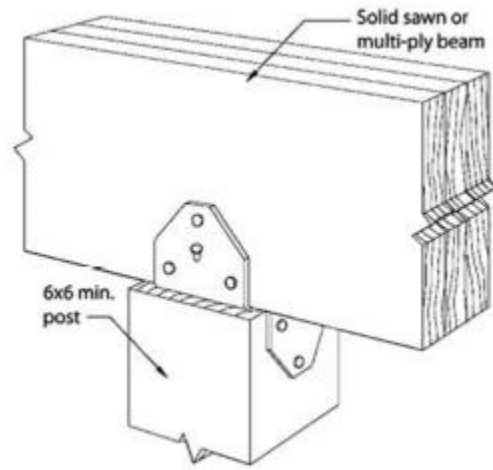
# Deck Review Checklist

## Post to Beam Connection Detail

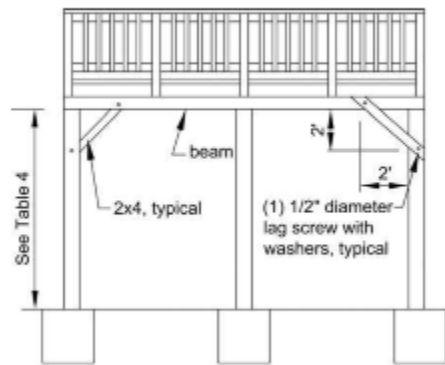
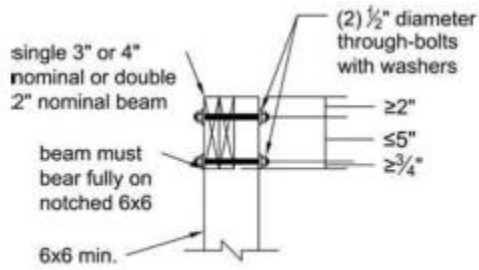


Through-bolts, lag screws, or nails.

Note: Support of beams w/ fasteners only is prohibited. Bearing is required. See Figure 8A.



**Figure 10. Diagonal Bracing.**

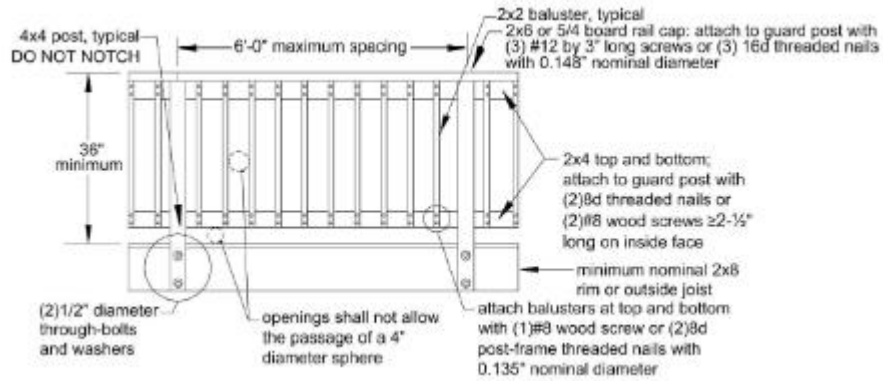


DIAGONAL BRACING PARALLEL TO BEAM

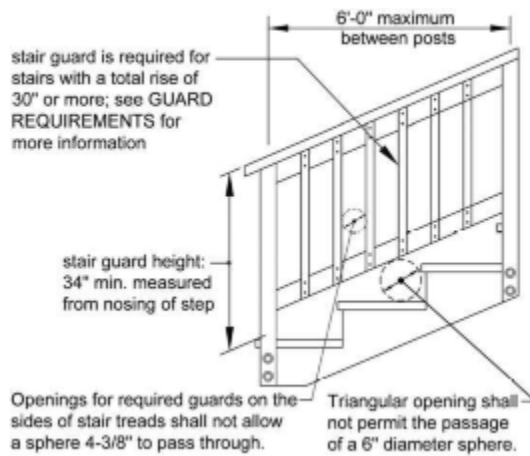
Note: Diagonal Bracing is prohibited on center posts.

# Deck Review Checklist

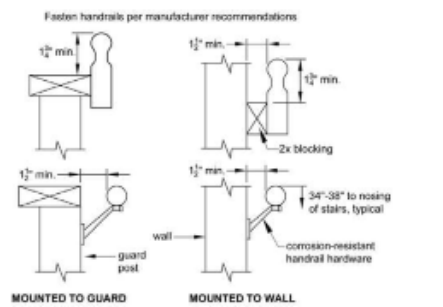
## Guard Rail and Stair Details



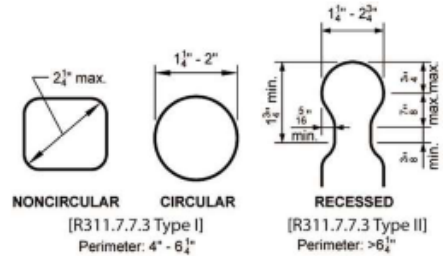
**Figure 30. Stair Guard Requirements.**



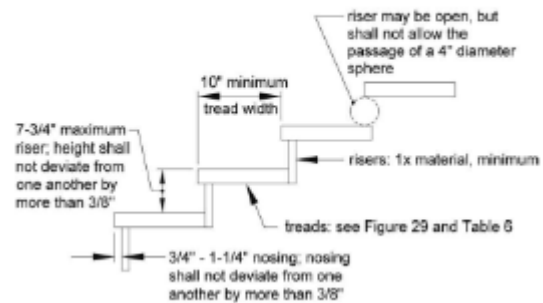
**Figure 32A. Handrail Mounting Examples.**



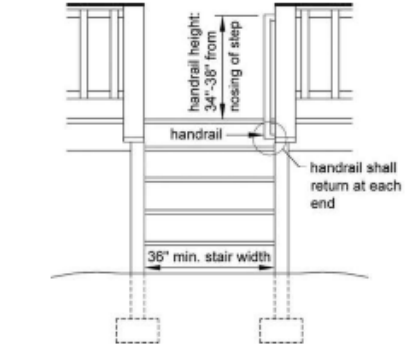
**Figure 32B. Handrail Grip Size.**



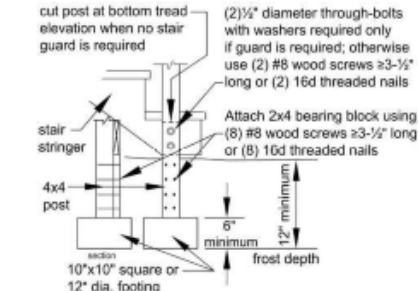
**Figure 27. Tread and Riser Detail.**



**Figure 33. Miscellaneous Stair Requirements.**

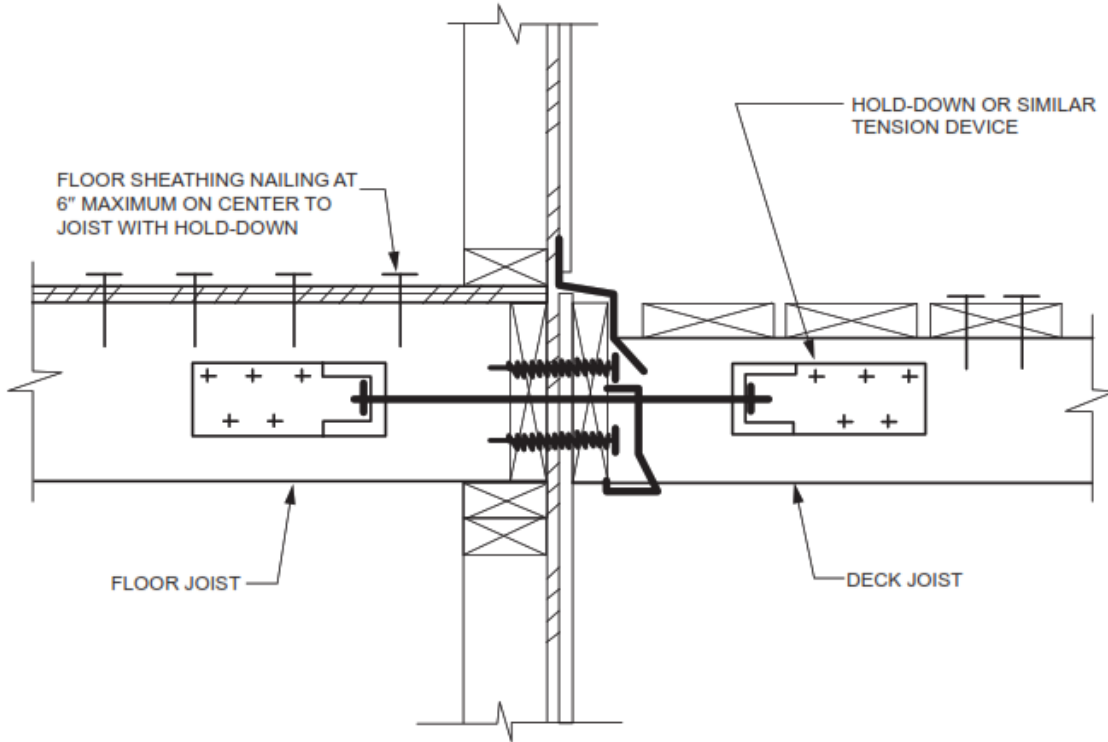


**Figure 34. Stair Footing Detail.**

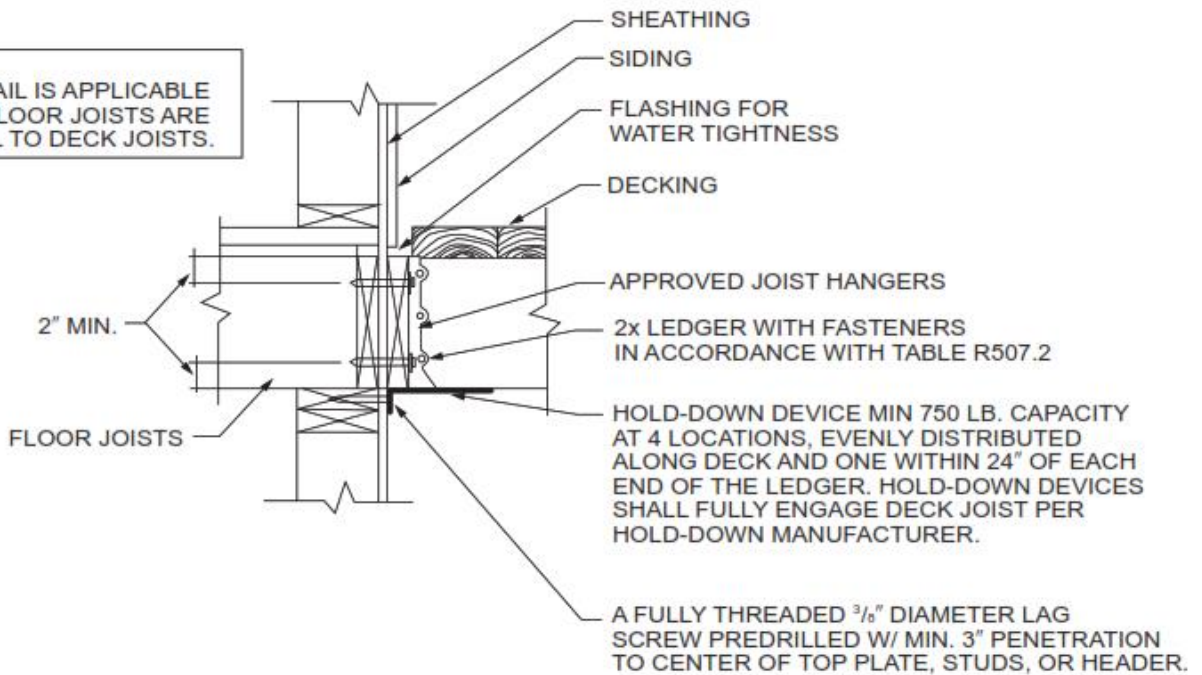


# Deck Review Checklist

## Tension Tie Detail

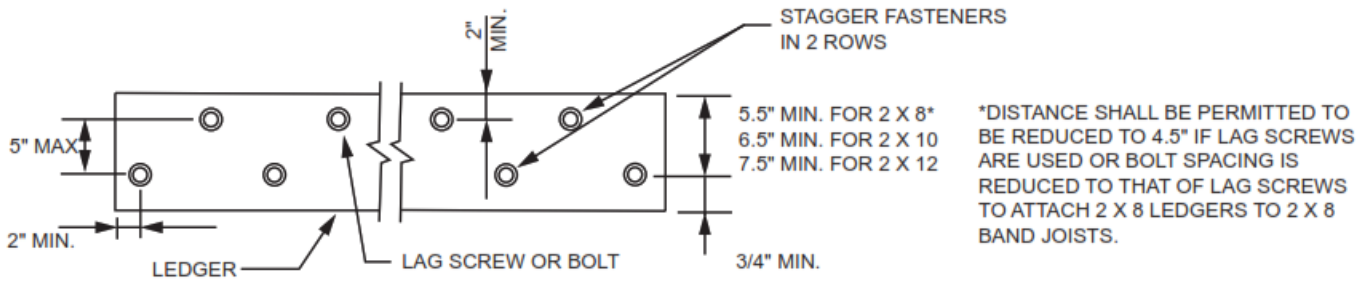


**NOTE:**  
THIS DETAIL IS APPLICABLE  
WHERE FLOOR JOISTS ARE  
PARALLEL TO DECK JOISTS.



# Deck Review Checklist

## Ledger Board Detail



For SI: 1 inch = 25.4 mm.

**FIGURE R507.9.1.3(1)**  
**PLACEMENT OF LAG SCREWS AND BOLTS IN LEDGERS**

**Figure 14. General Attachment of Ledger Board to Band Joist or Rim Joist.**

